

# SOL.Connect® Control Center

Secure PV power plant monitoring

**SOL.Connect® Control Center** is a new tool for technical management of large scale plants and PV power plants, combining the known range of services of several **SOL.Connect® Center**.

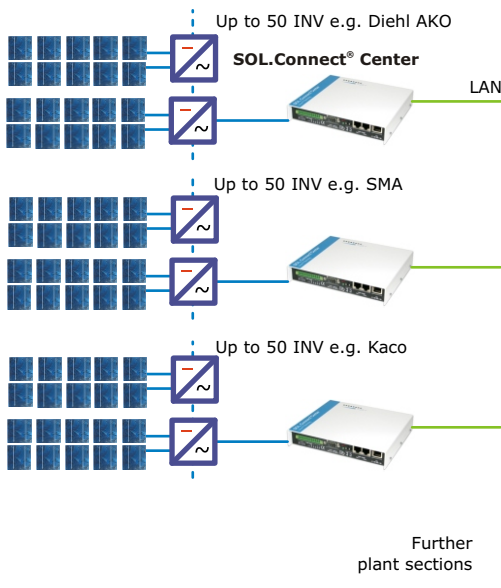
The requirements towards communication and coping with the complexity increase at plant sizes of more than 50 inverters. The monitoring personnel keeps overview through grouping, power- and yield-totalling and through prioritisation of malfunctions. This allows **fast reacting and systematic trouble shooting**.

As various well-known inverter protocols are supported, even **hybrid plants** can be monitored and visualized.

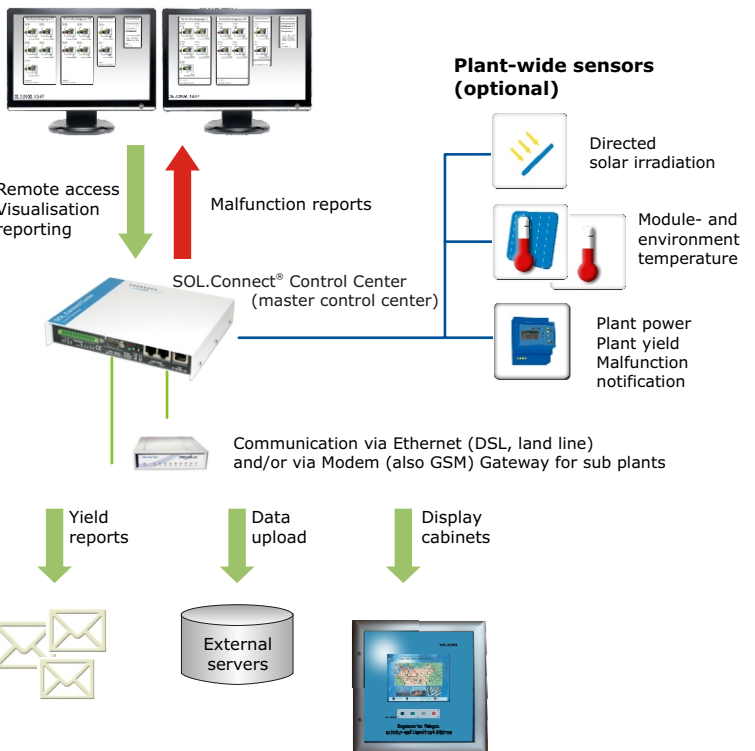
**OLE Process Control** - currently OPC stands for „Openess, Productivity & Collaboration“. This standard has been established throughout the automation industry for many years.

With this, operators such as local councils, finally have the ability to integrate PV-plants into established master displays - e.g. Siemens WINCC.

## Sub plant monitoring also for mixed brands



## Technical system management



## Technology

### Hardware:

- SOL.Connect® Center for sub plant monitoring (full scope of benefits)
- SOL.Connect® Control Center for additional control center functionality
- SOL.Connect®/3rd party accessories

### Function:

- Combined visualisation/monitoring of the total plant
- Full range of functions for the sub plant monitoring with the SOL.Connect® Center (data recording, sending of e-mails, ...)
- Monitoring of up to 500 inverters of different manufacturers possible at the same time
- Consolidation of all relevant plant information, measurements and events/malfunctions
- Topological mapping of the plant with sub plant and inverter groups
- Logging and monitoring of the entire plant with reference sensors (inverter independent assessment of the plant's power)
- Communication gateway via highspeed internet access and/or modem
- Visualisation of power data on external displays

